

# MAKE LIGHT WORK OF YOUR SUNROOM.



## WINDOW SEAT

The 'A user's guide to Contiboard' leaflet will help you achieve a professional finish. Filled with tips and hints on how to work with Contiboard we recommend this is read before starting your project. All drilling that goes through the board should be started from the visible side.

1



Separate the panels into three lots.

### UNIT 1

Assembly of two outer units

1. Fix one end panel and the inner top together with the appropriate screws.  
Working along the end panel, fix the base allowing for a 10mm gap (see drawing A).
2. Fix the second end panel to the top and base. Repeat steps one and two to assemble the second unit.
3. The outer top on both units is fixed from the under side concealing the screws.
4. Purchase shelf supports (available at your local DIY store) and fit shelves.

2



### UNIT 2

5. Fix one end panel and the back together with the appropriate screws. Working along the back panel fix the second end. Turn the unit on to the back and fit the front panel (allowing for a 10mm gap, see drawing A).

Fitting the base:

6. Fit the piano hinge to the back panel of the unit, and then to the top.
7. Matching screw head covers can be purchased to create a smooth and seamless finish.

Finishing touches

8. Fix the two outer units to the middle unit, and accessorise using special seat foam covered with the fabric of your choice.

6



7



8



3



4



5



## CUTTING AND DRILLING PLANS

continued...

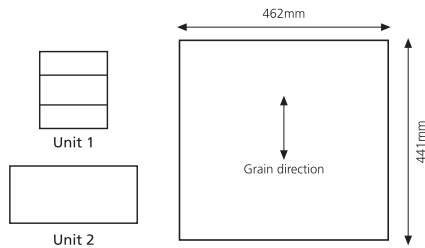
# CUTTING AND DRILLING PLANS

Finished size of window seat when using supplied plans – Height 533mm, Width 1690mm, Depth 450mm. Adapt to suit individual requirements. This unit needs to be made on its back. Some help will be needed to move the finished unit into position. To convert mm to inches divide the metric measurement in millimetres by 25.4.

## UNIT 1.

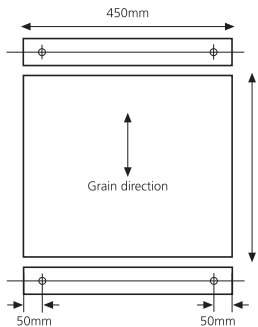
### Top - Unit 1

Outer top x2 required  
This panel should be screwed into position from below.



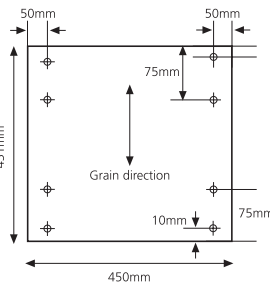
### Shelves and base - Unit 1

Drill only 2 of these.  
Drill 4 holes into the edges of the panel using a 3mm diameter drill bit to a depth of 20mm.



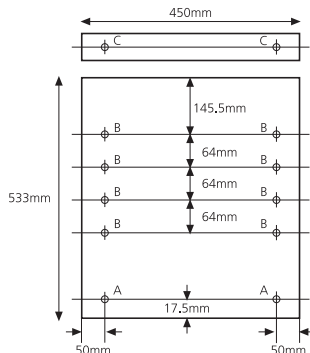
### Top - Unit 1

Inner top 2 required.  
Drill 8 holes using a 5mm diameter drill bit through the panel.



### Ends - Unit 1 - x4

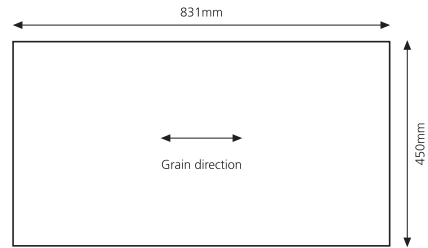
Drill 2 holes using a 5mm diameter drill bit through the panel (A).  
Drill 8 holes using a 5mm diameter drill bit to a depth of 12mm (B).  
Drill 2 holes into the top edge using a 3mm diameter drill bit to a depth of 20mm (C).



## UNIT 2.

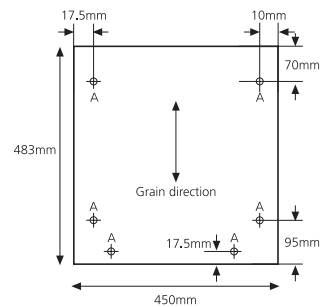
### Top - Unit 2 - x1

This panel will need to be drilled according to the hinges purchased.



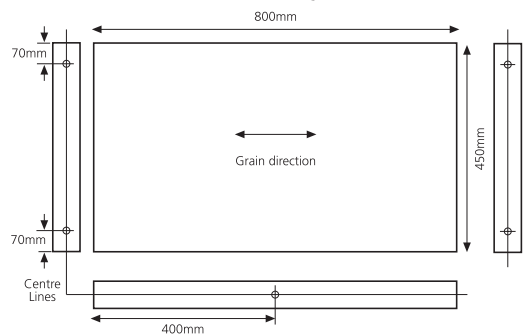
### End - Unit 2 - x2 (left)

Drill 6 holes using a 5mm diameter drill bit through the panel (A).



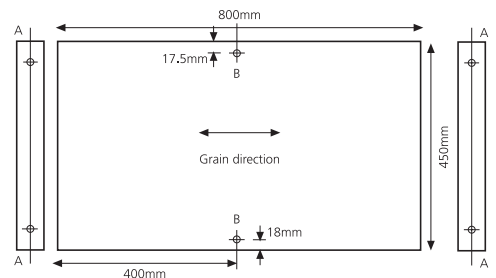
### Back and front - Unit 2 - x2 (below)

Drill 5 holes using a 3mm diameter drill bit in the centre of both ends and the end that is going to be the bottom edge.



### Base - Unit 2 - x2

Drill 4 holes using a 3mm diameter drill bit to a depth of 20mm (A).  
Drill 2 holes using a 5mm diameter drill bit through the panel (B).



# THE VERSATILE CONTIBOARD RANGE

## A FINISH FOR EVERY SITUATION

Whether you live in a modern or traditional home, storage units can make or break a room. That's why we've designed a range of boards with a high-spec melamine finish that can be made to not only fit the shape of your home, but also the style. And because interior design is constantly changing, we're always developing and broadening our range of different coloured and printed designs. **All you need to do is add imagination.**

### TOOLS REQUIRED

- Square, measuring tape and pencil
- Electric power saw with correct blade or hand saw (14 teeth per 25mm)
- Screwdrivers, screws, sharp marking/trimming knife
- Electric iron, glasspaper and block
- Drill with drill bits suitable for wood  
– Drill with 3mm and 5mm drill bits



### SIZES AVAILABLE

Finish	White Melamine		Finish effects*
	15mm	15mm	
<b>Thickness</b>			<b>18mm</b>
<b>Sizes</b>	152 x 1830mm 229 x 1830mm 305 x 1830mm 381 x 1830mm 533 x 1830mm 610 x 1830mm	152 x 2440mm 229 x 2440mm 305 x 2440mm 381 x 2440mm 533 x 2440mm 610 x 2440mm 762 x 2440mm 1220 x 2440mm	150 x 2000mm 250 x 2000mm 325 x 2000mm 450 x 2000mm 600 x 2000mm

#### \*Finish effects include:

Cherry Modern Effect; Rift Beech Effect; Traditional Oak Effect; Cream Effect; Walnut Effect; Chocolate Oak Effect; Maple Effect and Oak Effect.

The manufacturer reserves the right to withdraw or alter the range or part of the range. Matching ContiStrip iron on edging is available to finish sawn edges.

#### Caution and Safety

- Care should be taken when working with all timber products and the correct protective equipment used.
- Do not overtighten fixing screws.
- Ensure that you have sufficient working space to construct the unit.
- Heavy units are difficult to move and may require help from an additional person.
- Keep all tools and fixing items out of reach of children to prevent accidents occurring.
- Screw cap covers can easily choke a child. Glue these into place for extra safety.
- Check for wires and pipes with a special battery-powered detector before drilling.
- Always restrain freestanding units if there is a possibility of children climbing on them.
- Cleaning melamine or foil faced particleboard. Use mild soap and water only on a slightly damp cloth. Do not use abrasive or solvent cleaners.

Contiboard has been offering an alternative to ill-fitting, mass-produced, flat-packed furniture for over 25 years. The versatile nature and wide range of appealing finishes of our boards means that during that time they have been made into wardrobes, cupboards, shelving, storage boxes, tables... whatever you could think of really: Some weird, all wonderful.

**We look forward to seeing what ideas you come up with in the next 25 years.**



CONTI DIY PRODUCTS  
NORBORD LTD  
SOUTH MOLTON  
DEVON EX36 4HP  
TEL. 01769 575400

**JUST ADD IMAGINATION**